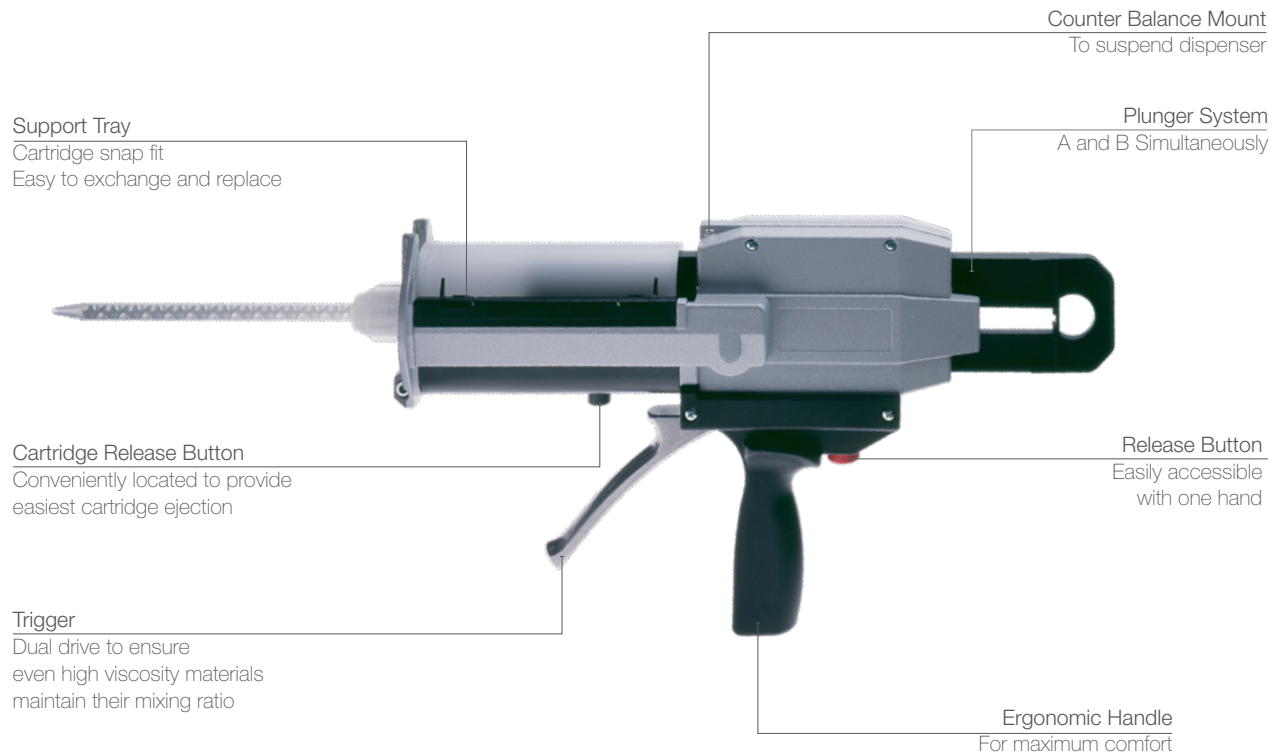




# MIXPAC™ 2-Component Dispenser

## MIXPAC™ DM 200

A manual dispenser for C and F-System cartridges.



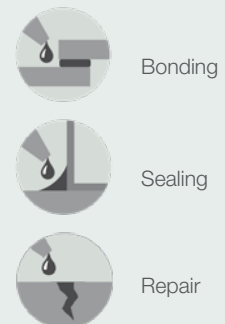
### Product advantages

- Designed specifically for Mixpac C and F System Cartridges
- Cartridge snap fit
- High gear ratio
- One-hand-operation
- Long-life technology

### Customer benefits

- Easy cartridge positioning and fixation
- Ergonomic
- High precision and dispensing accuracy
- Can easily be converted into different ratios with proper plunger.

### Applications



### Product by range

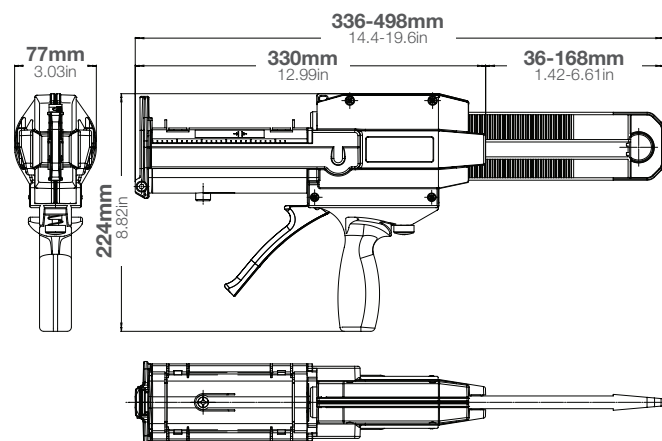


# The MIXPAC™ DM 200 - designed to provide reliable 2-component dispensing.

## Specifications

- Weight 1.35kg / 2.98lbs
- Length: 366mm / 14.4in
- Maximum Thrust: 5.2kN ( 520kg), 3.7mm stroke
- Tool material: cast aluminium and reinforced nylon
- Cartridge capacity: 200mL
- Cartridge ratio: 1:1/2:1/4:1/10:1

## Dimensions



Part number:	Article number:	Ratio			
		1:1	2:1	4:1	10:1
DM 200-01	114413	✓	✓		
DM 200-04	114425			✓	
DM 200-10	114535				✓

## Packaging:

Packed individually 1 units per master carton

## Matching MIXPAC™ cartridges (C-System and F-System)



200mL / 1:1  
PP/PA



200mL / 2:1  
PP/PA

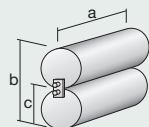


200mL / 4:1  
PP/PBT

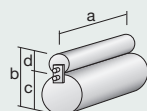


200mL / 10:1  
PP/PBT

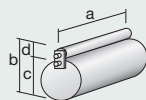
## Other matching cartridges



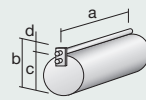
1:1	mm	inch
a	148	5.83
b	79	3.11
c	Ø 37	Ø 1.46



2:1	mm	inch
a	148	5.83
b	81	3.19
c	Ø 50	Ø 1.97
d	Ø 31	Ø 1.22



4:1	mm	inch
a	148	5.83
b	77	3.01
c	Ø 49	Ø 1.93
d	Ø 25	Ø 0.98



10:1	mm	inch
a	148	5.83
b	78	3.07
c	Ø 55	Ø 2.17
d	Ø 19	Ø 0.74

## Conversion kits

CK 200-01, CK 200-04, CK 200-10, See page 18.

## Matching accessories

All accessories are displayed on page 18.